

## NTA PRODUCTS



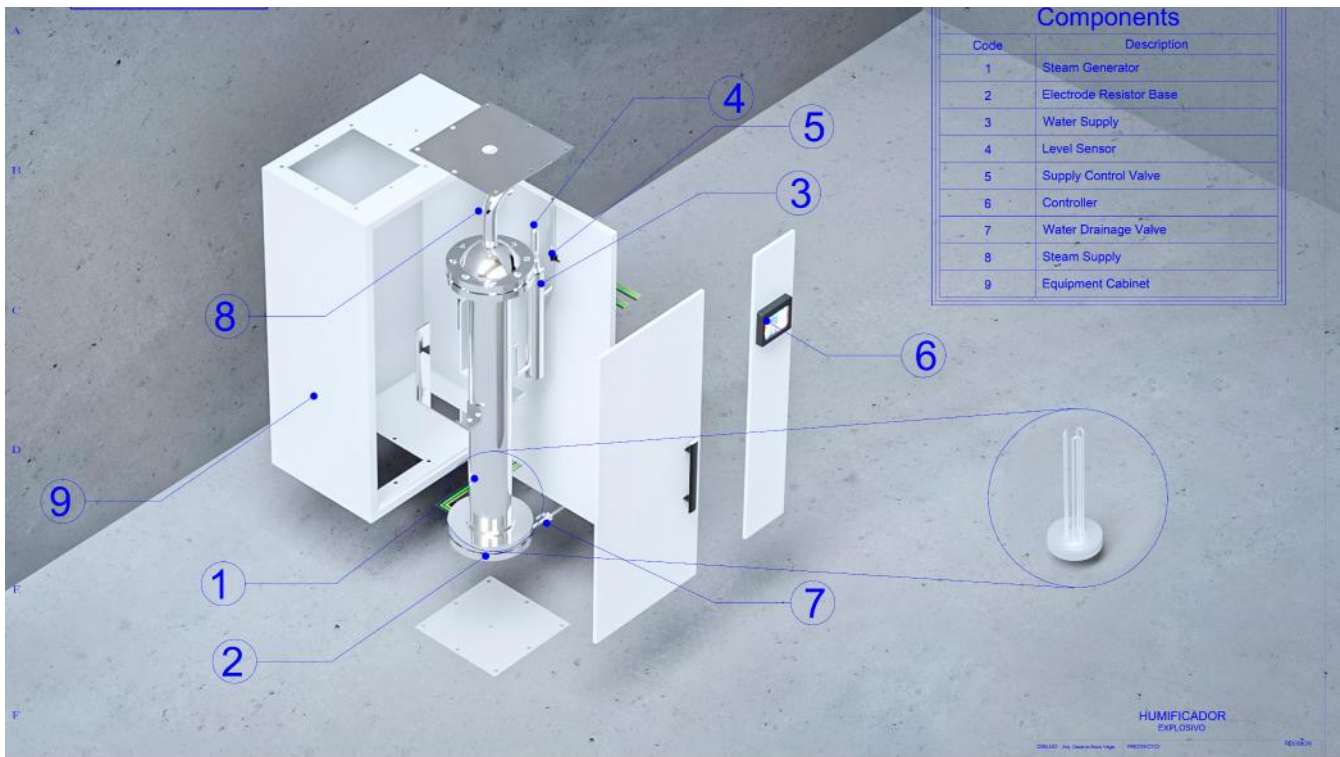
### YEEB HUMIDIFIER

YEEB is a state-of-the-art resistive humidifier, maintenance-free, built with high quality materials to have a robust equipment which offers high performance in different humidification applications in HVAC systems.

The YEEB brand humidifier is designed with robust, aesthetic and sanitary materials to meet the demands of the electronic, food and pharmaceutical industries.

The YEEB brand humidifier control system has high-tech sensors, a touch screen and programming in an intuitive environment that is very easy to operate.

# NTA PRODUCTS



## YEEB HUMIDIFIER

MODEL	SELECTION		
	STEAM (CAPACITY lb/hr)	POWER (Kw)	DISCHARGE (in)
YEEB-KW04	10-14	4	1-1/2
YEEB-KW06	16-20	6	1-1/2
YEEB-KW08	22-26	8	1-1/2
YEEB-KW10	28-32	10	1-1/2
YEEB-KW13	38-42	13.5	1-1/2
YEEB-KW16	46-50	16	1-1/2
YEEB-KW20	58-62	20	1-1/2
YEEB-KW30	88-92	30	1-1/2
YEEB-KW40	118-122	40	1-1/2